

# INNOVEC

## CONTROLS PTY LTD

### BUND ALARM FLOAT SWITCH Model : IBA



The Model **IBA Bund Alarm** is 85-265VAC or 12-40VDC powered float switch for liquids that operates as a unique cable-suspended liquid level sensor offering convenience and reliability for a wide range of pump control and alarm applications.

#### FEATURES

- Sensor sealed to IP68
- Sensor housing is made from Polypropelene
- Switching ability changeover contacts rated at 10 amperes at 250VAC
- Low cost - High performance
- Pressure rating of 2 bar
- Reliable and Maintenance free
- Applications include oils, most acids and Alkalis.
- Counter weight
- 85 to 265VAC 47-63 Hz or 12 to 40VDC supply
- EMC compliant



The instrument is water resistant and is capable of being used for oil, most acids and Alkalis. The float contains a micro switch inside a sealed enclosure is connected by a flexible cable and can be controlled by PLC.

## TECHNICAL SPECIFICATIONS

### Environmental Parameters

- 0-70 degrees Celsius and 0-90% RH non-condensing.
- Sensor is weatherproof to IP68.

### Connection Details

Terminal 1: Normally closed (Blue)
Terminal 2: Common (Black)
Terminal 3: Normally Open (Brown)

### Power Supply

- 85 to 265VAC 47-63 Hz universal supply or DC from 12 to 40VDC

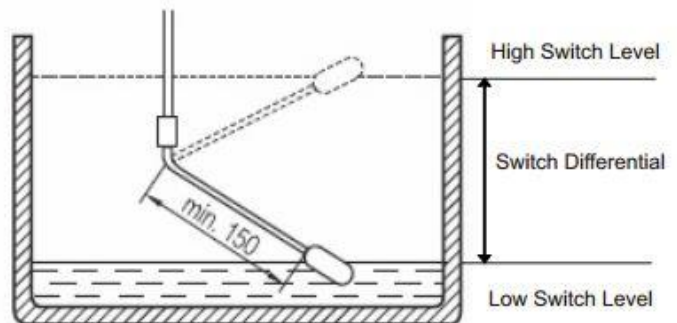
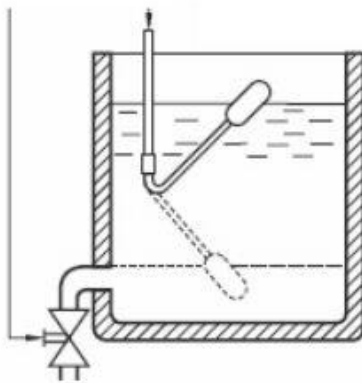
### Mounting Details

- The sensor is suspended by its cable from the top of the vessel. The switch point can be adjusted by moving and locking in position the counterweight

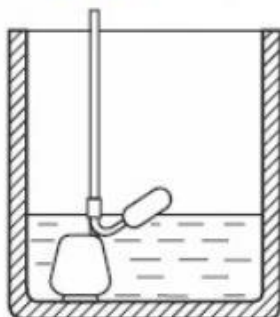
### Ordering information

- IBA-3 for 3 metre Operation
- IBA-5 for 5 metre Operation
- IBA-5 for 5 metre Operation

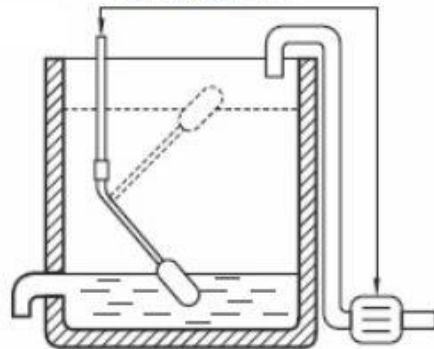
#### Emptying Control



#### Pump Protection



#### Filling Control



1.